



COMPACT RANGE

of Tank & Vessel Weighing Assemblies



Features

- Simplified Installation.
- Anti-vibration / Anti shock load pads.
- Capacities from 20 kg to 2,000 kg.
- No tie or stay rods required for most applications.
- Extremely robust.
- High side load resilience.
- All stainless steel option (incorporating Ultra or Challenger load cells).
- Overload stops, conduit fittings and cable protection plates available.

Description

The **Compact** range of tank loading assemblies is designed for tough industrial weighing applications. It can be supplied fully assembled with the appropriate load cell for all types of weighing applications. This ensures correct loading and straightforward installation. There is a Compact assembly to suit all Applied Weighing Shear Beam and Bending Beam load cells.

ENGINEERING SPECIFICATIONS

THE COMPACT SHEAR AND ULTRA SHEAR BEAM RANGE

Technical Information

The Compact is an anti-vibration assembly for use with all Shear Beam and Bending Beam load cells. It is manufactured from high density food quality chemical resistant rubber compound and is suitable for most weighing applications with load cell capacity requirements up to 2,000 kg.

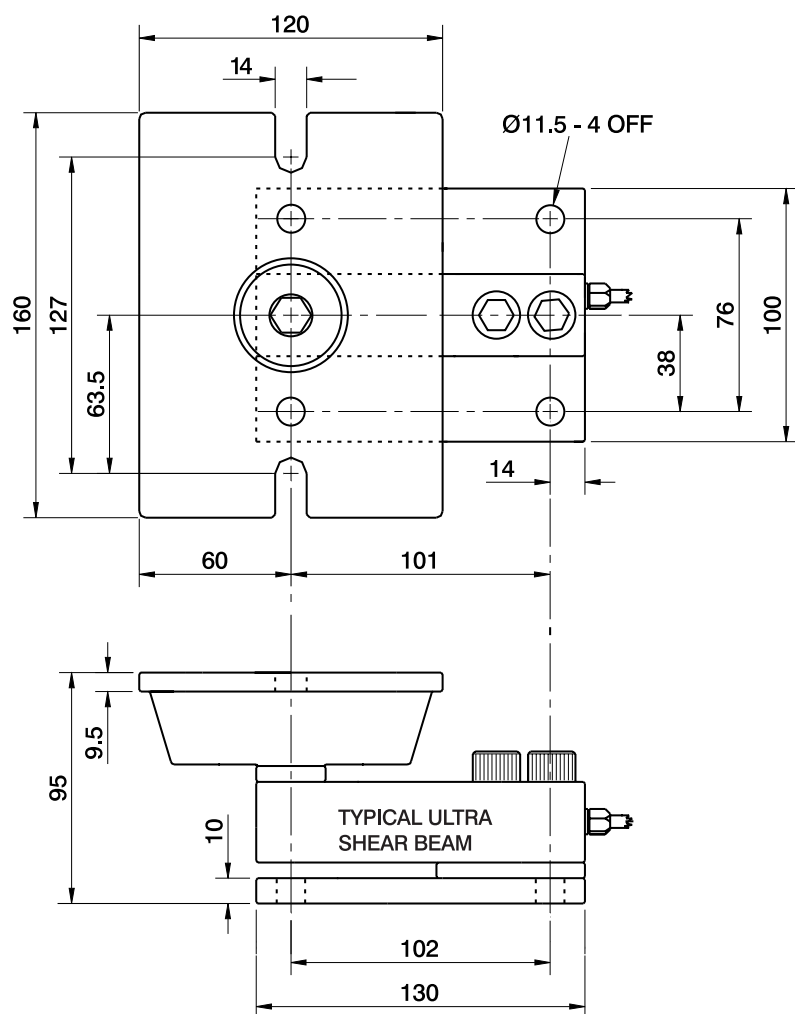
SELECTION GUIDE BY PART NUMBER

Capacity	Compact Assembly & Ultra Shear Beam	All Stainless Assembly & Ultra Shear Beam	Compact Assembly & Steel Shear Beam	Compact Mount & Spacer	Compact Assembly Only
250 kg	AW331/00250	AW337/00250	n/a	} AW334/00500	} AW335/00500
500 kg	AW331/00500	AW337/00500	AW330/00500		
1000 kg	AW331/01000	AW337/01000	AW330/01000	} AW334/02000	} AW335/02000
1500 kg	n/a	n/a	AW330/01500		
2000 kg	AW331/02000	AW337/02000	AW330/02000		

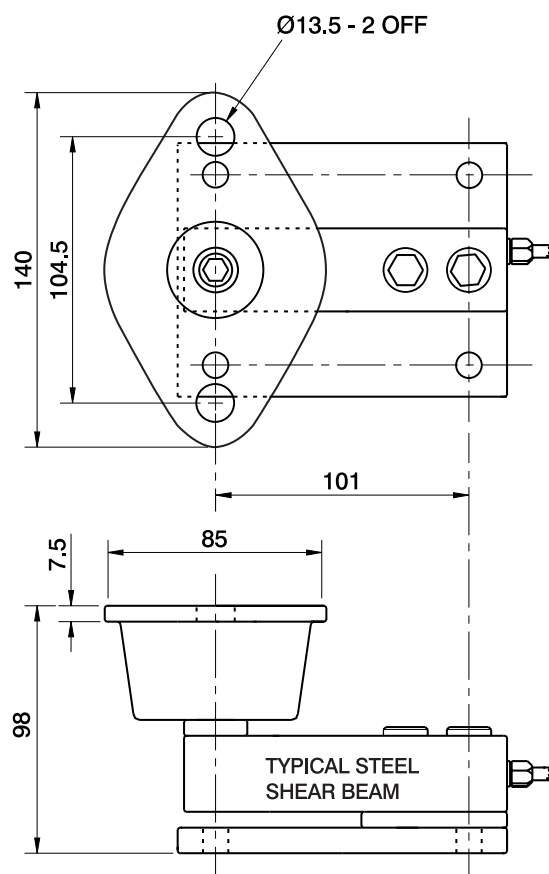
Compact Base Plate & Spacer – AW333/00000

All units in mm

CAPACITIES 1000 TO 2000 kg



CAPACITIES 250 TO 500 kg



THE COMPACT ALUMINIUM SHEAR BEAM RANGE

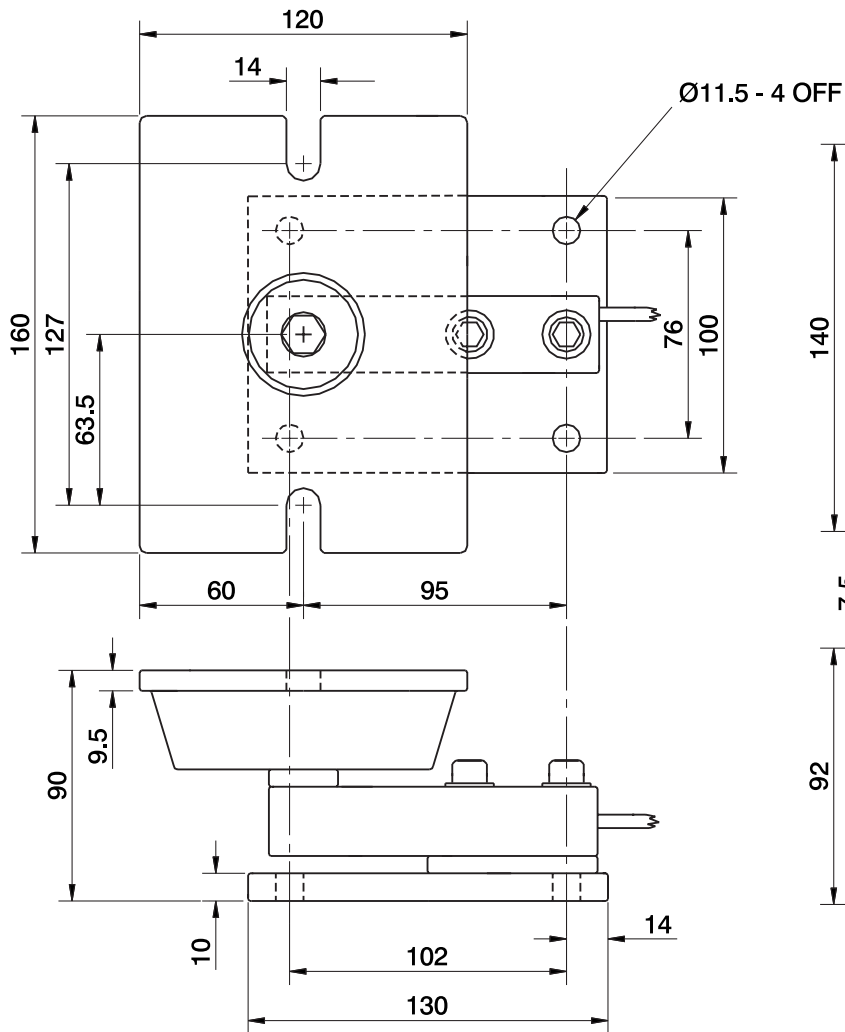
Technical Information Continued

SELECTION GUIDE BY PART NUMBER

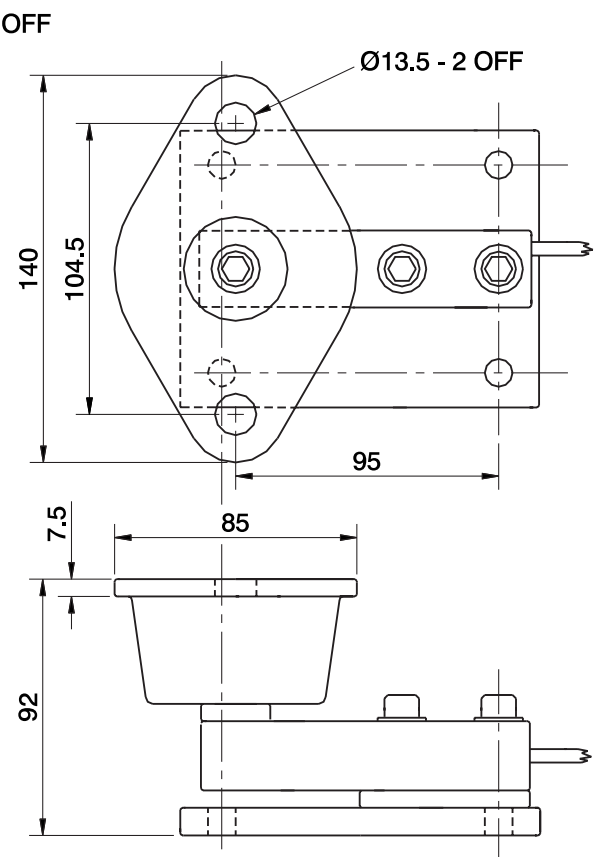
Capacity	Compact Assembly & Aluminium Beam
100 kg	AW332/00100
250 kg	AW332/00250
500 kg	AW332/00500
1000 kg	AW332/01000
1500 kg	AW332/01500

All units in mm

CAPACITIES 1000 TO 1500 kg



CAPACITIES 100 TO 500 kg



ENGINEERING SPECIFICATIONS

THE COMPACT CHALLENGER RANGE

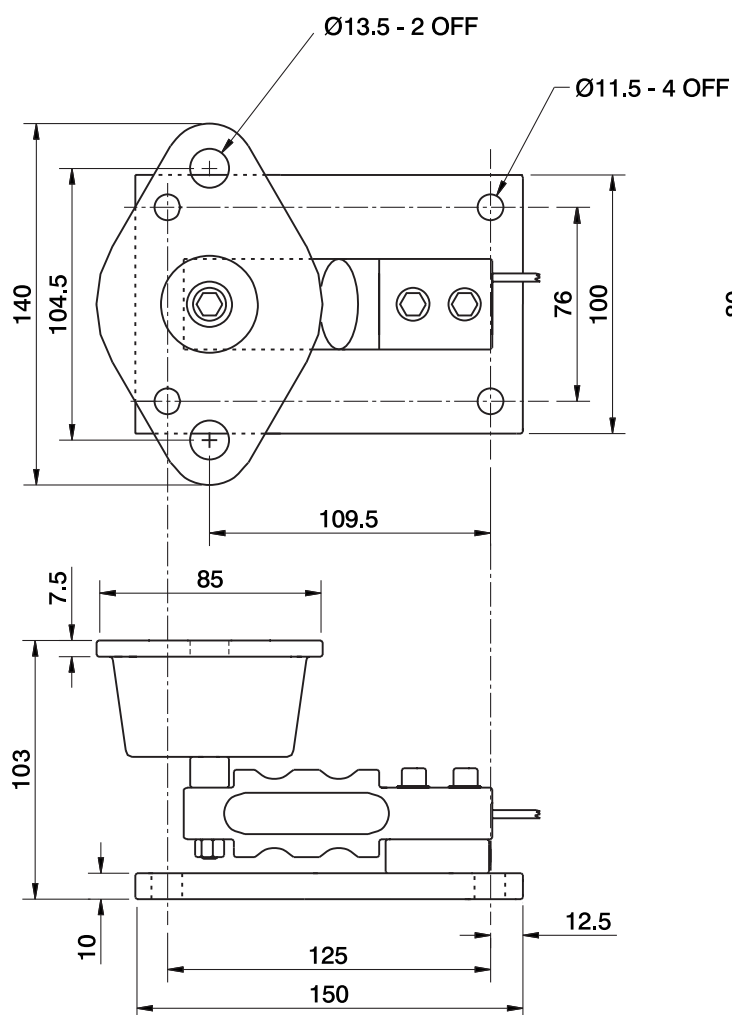
Technical Information Continued

SELECTION GUIDE BY PART NUMBER

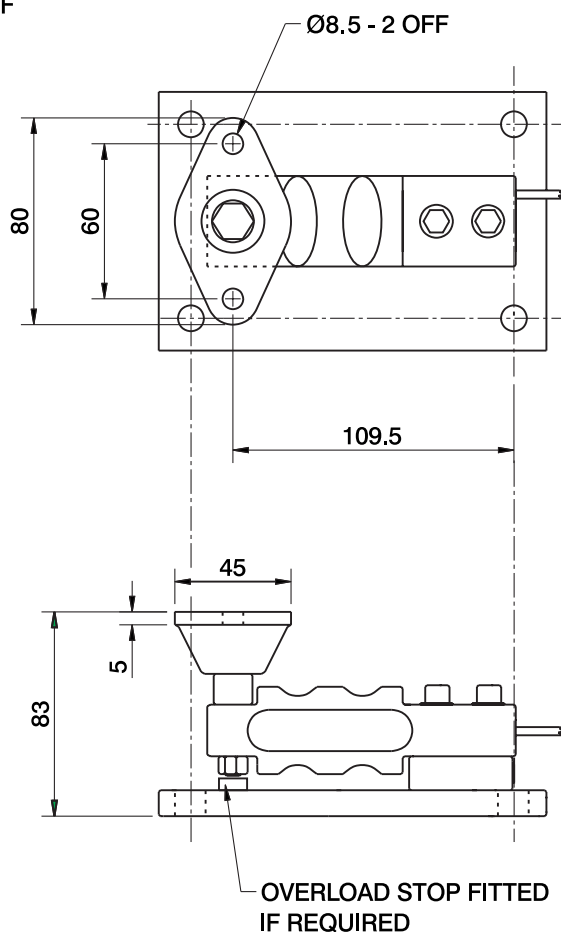
Capacity	Stainless Assembly & Challenger Beam
20 kg	AW336/00020
50 kg	AW336/00050
100 kg	AW336/00100
200 kg	AW336/00200
250 kg	AW336/00250

All units in mm

CAPACITIES 50 TO 250 kg



20 kg CAPACITY



In the interest of continued product development, Applied Weighing reserves the right to alter product specifications without prior notice.

APPLIED WEIGHING INTERNATIONAL LIMITED, Unit 5, Southview Park, Marsack St, Caversham, Reading, England RG4 5AF
 Tel: (0118) 9461900 Fax: (0118) 9461862 E-mail: sales@appliedweighing.co.uk Web site: www.appliedweighing.co.uk

DS 02909 version 1.0