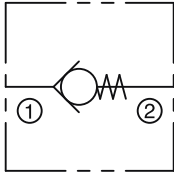


# C, CP Check Valve

## Female-to-Female

### IN-LINE



### DESCRIPTION

Check valves operate on slight differential pressure. Free flow is permitted in the direction of the arrow, positive check in the opposite direction.

- **Elastomer-Free (no O-rings)**
- **Leak-Tight Ball Check standard for various medias**
- **Bubble-Tight Poppet Check with O-ring optional**

### SPECIFICATIONS

#### Maximum Operating Pressure (Non-Shock Service)

Brass: 2,000 psi (138 bar)  
 Carbon Steel: 5,000 psi (345 bar)  
 Stainless Steel: 5,000 psi (345 bar)

#### Maximum Operating Pressure (Poppet Check)

Brass & Stainless Steel: 60 psi (4 bar)

#### Cracking Pressure

1 to 2.5 psi (.07 to .17 bar)

Soft seat poppet check valves if left seated for a period of time, will have the rubber adhere to the metal it is in contact with. This results in an initial high crack point due to sticking. The degree depends on many things (time seated, pressure, etc.).

#### Operating Temperature Range

-30° to +400° F (-34° to +204° C)

#### Operating Temperature Range (Poppet Check)

-15° to +400° F (-26° to +204° C)

#### Threads

NPTF

#### Materials

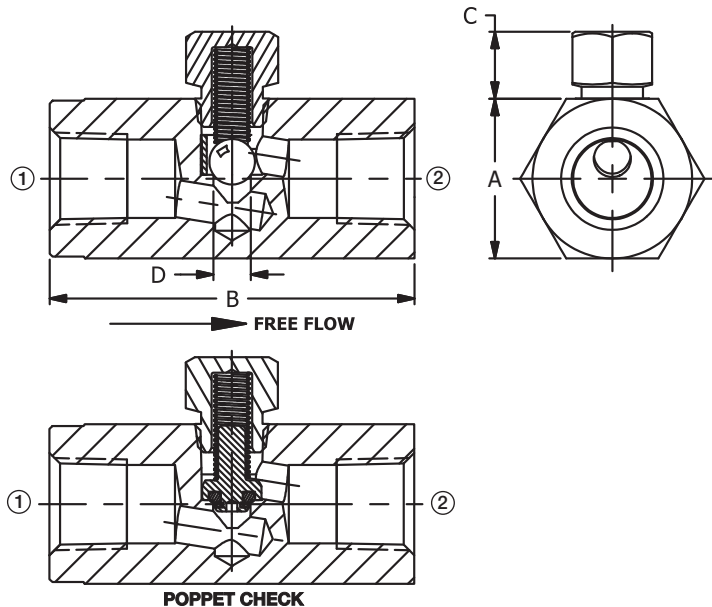
Body, Plug: Brass, Steel, Stainless Steel 303  
 Collar: Stainless Steel 303  
 Ball: Stainless Steel 440  
 Poppet: Brass or Stainless Steel 303 with Viton O-Ring  
 Spring: Stainless Steel 302

### FLOW RATING

Size	Max Recommended Flow gpm (lpm)	Co-Efficient (Cv Factor)
1/8"	1.5 (5.7)	.23
1/4"	3.0 (11.4)	.54
3/8"	5.0 (18.9)	.83
1/2"	8.0 (30.3)	1.47
3/4"	12.0 (45.4)	1.90



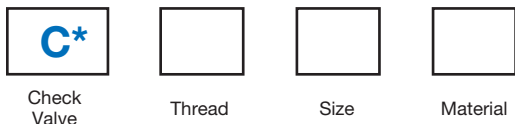
**INSTALLATION DIMENSIONS**



Pipe Size	A HEX	B	C	D orifice
1/8"	11/16 (17.5)	1-15/32 (37.3)	13/64 (5.2)	.141 (3.6)
1/4"	7/8 (22.2)	2 (50.8)	23/64 (9.1)	.203 (5.2)
3/8"	1-1/16 (27.0)	2-1/4 (57.2)	11/32 (8.7)	.266 (6.8)
1/2"	1-5/16 (33.4)	2-21/32 (67.5)	15/32 (11.9)	.328 (8.3)
3/4"	1-5/8 (41.3)	2-15/16 (74.6)	17/32 (13.5)	.406 (10.3)

( ) Parentheses = Millimeters

**HOW TO ORDER**



Code	Check Valve
<b>C</b>	Ball Check
<b>CP</b>	Poppet Check

Code	Material
<b>B</b>	Brass
<b>S</b>	Carbon Steel
<b>SS</b>	Stainless Steel

Code	Thread
Omit	NPTF

Code	Size
<b>10</b>	1/8"
<b>20</b>	1/4"
<b>25</b>	3/8"
<b>30</b>	1/2"
<b>35</b>	3/4"

**AVAILABLE MODEL CODES**

Size	NPTF Thread		
	Brass	Steel	Stainless Steel
1/8"	C10B	C10S	C10SS
	CP10B		CP10SS
1/4"	C20B	C20S	C20SS
	CP20B		CP20SS
3/8"	C25B	C25S	C25SS
	CP25B		
1/2"	CP30B	C30S	C30SS
3/4"	C35B	C35S	-