

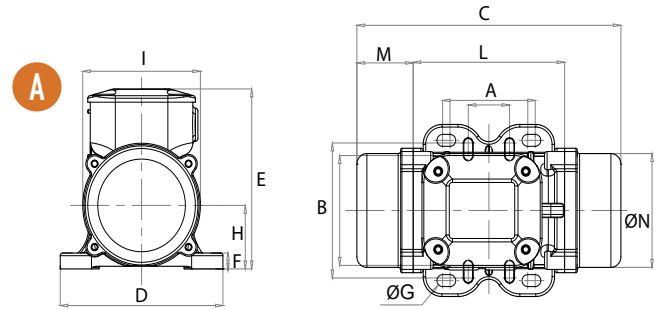


- » I13 D Ex tD A22 Tx IP66
- » TÜV NORD Statement Conformity Number TÜV 05 ATEX 2768X
- » Equipment and protective system intended for use in potentially explosive atmospheres [Zone 22] - Directive 94/9/EC
- » Compliance with Essential Health and Safety Requirements
- » IEC 60079-10-2

MVE STANDARD RANGE



2 POLES - 3000/3600 rpm



Wm (kgcm)		Model		Centrifugal Force (kg)		Weight (kg)		ELECTRICAL SPECIFICATIONS				CERTIFICATE				
50Hz	60Hz	50Hz	60Hz	50Hz	60Hz	50Hz	60Hz	Input Power (kW)	Nominal Current A max. (Y)		Ia / In		Cable Gland	Class II Div.2	I13D	
50Hz	60Hz	50Hz	60Hz	50Hz	60Hz	50Hz	60Hz	50Hz	60Hz	50Hz (400V)	60Hz (460V)	50Hz	60Hz	Metric	Temp. Class	Temp. Class
1.31	0.98	MVE 60/3	MVE 60/36	66	71	4.2		0.08	0.09	0.16	0.18	3.00	3.00	M16	T4	100°C
1.96	1.31	MVE 100/3	MVE 100/36	98	95	4.6		0.10	0.11	0.19	0.18	3.00	3.00	M16	T4	100°C
3.72	2.61	MVE 200/3	MVE 200/36	187	189	7.0		0.18	0.21	0.35	0.35	3.30	3.30	M20	T4	100°C
3.72	2.61	MVE 202/3	MVE 202/36	187	189	7.2		0.18	0.21	0.35	0.35	3.30	3.30	M20	T4	100°C
6.39	4.46	MVE 300/3	MVE 300/36	321	323	9.8		0.27	0.28	0.52	0.45	3.60	3.50	M20	T4	100°C
7.96	5.68	MVE 400/3	MVE 400/36	407	411	10.3		0.30	0.36	0.58	0.60	3.50	3.50	M20	T4	100°C
10.27	7.38	MVE 500/3	MVE 500/36	530	534	15.8		0.50	0.58	0.96	0.97	4.00	4.20	M20	T4	100°C
14.90	10.57	MVE 700/3	MVE 700/36	758	765	16.5		0.66	0.75	1.25	1.24	4.30	5.00	M20	T4	100°C
15.68	11.06	MVE 800/3	MVE 800/36	794	800	20.6		0.75	0.90	1.45	1.50	3.80	3.80	M20	T4	100°C
22.41	15.68	MVE 1200/3	MVE 1200/36	1005	1013	21.6		0.95	1.15	1.85	1.95	4.40	4.50	M20	T4	100°C
20.26	14.00	MVE 1300/3	MVE 1300/36	1355	1365	22.0		1.30	1.38	2.44	2.25	5.20	5.00	M20	T4	100°C
26.58	18.60	MVE 1301/3	MVE 1301/36	1355	1365	34		1.30	1.38	2.44	2.25	5.20	5.00	M20	T4	100°C
26.58	18.60	MVE 1310/3	MVE 1310/36	1123	1616	34		1.30	1.38	2.44	2.25	5.20	5.00	M20	T4	100°C
31.26	22.22	MVE 1600/3	MVE 1600/36	1601	1608	51.6	51.2	1.57	1.60	2.94	2.61	5.90	6.20	M25	T4	135°C
36.78	27.60	MVE 2000/3	MVE 2000/36	2027	1997	52.8	52.0	2.00	2.10	3.75	3.42	6.50	6.40	M25	T4	135°C
45.97	31.87	MVE 2300/3	MVE 2300/36	2302	2306	53.6	51.6	2.40	2.45	4.44	3.94	6.00	6.30	M25	T4	135°C
68.10	43.89	MVE 3200/3	MVE 3200/36	3252	3176	103.0	101.4	2.90	2.90	5.30	4.61	8.30	8.20	M32	T4	135°C
79.40	55.99	MVE 4000/3	MVE 4000/36	4033	4052	107.0	103.8	2.90	2.90	5.30	4.61	8.50	9.70	M32	T4	135°C
103.24	69.76	MVE 5000/3	MVE 5000/36	5009	5048	111.2	105.8	4.00	4.00	7.22	6.28	8.50	9.80	M32	T4	135°C
										A max. (Δ)						
129.55	90.54	MVE 6500/3	MVE 6500/36	6510	6552	228.4	229.6	5.50	5.50	9.5	8	8.50	8.80	M32	T4	135°C
179.59	129.55	MVE 9000/3	MVE 9000/36	9025	9375	240.3	234.7	10.00	9.30	14.00	18.00	8.40	8.60	M32	T4	135°C



UP TO SIZE 60 (NOT INCLUDED)
60Hz masses = 50Hz masses adjusted at 70%



ABOVE SIZE 60 (INCLUDED)
Specific masses for 60Hz

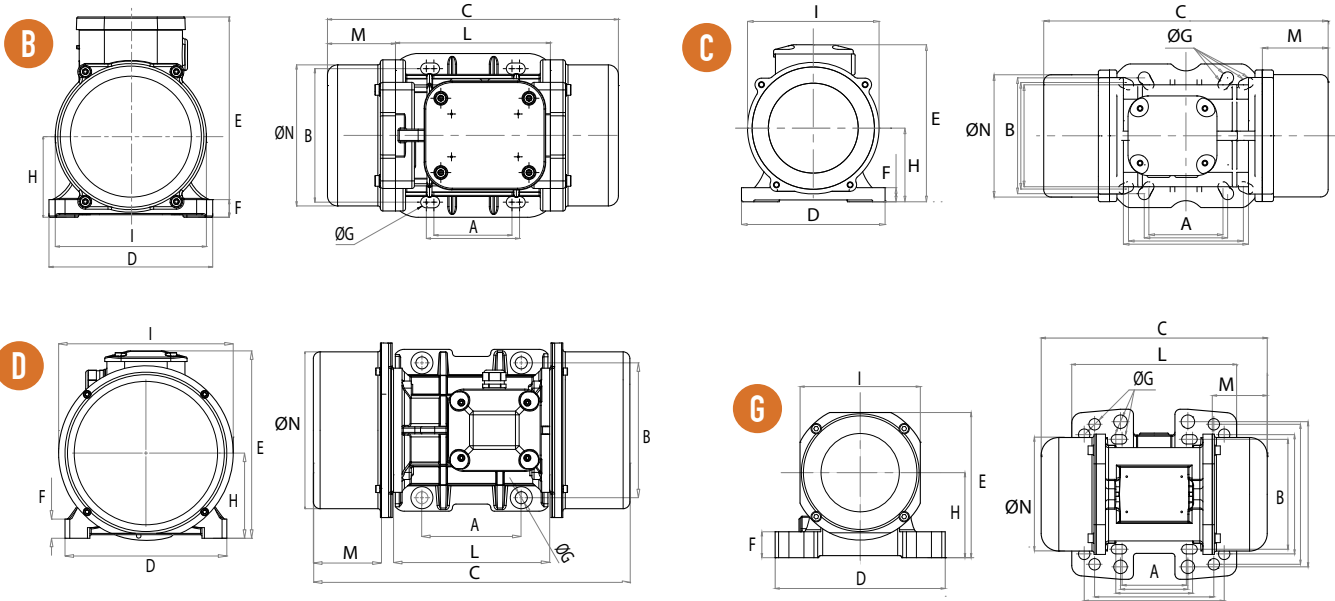
To convert kg into Newton: $N = 9.81 \cdot kg$



» Declaration of conformity "type B" according to:
2006/95/EC - 2004/108/EC - 2006/42/EC - EN 60034-1



» Class II Div.2 Group F, G - T4 - NEMA 4
» Conform to UL 1836, UL1004-1 Cert. CSA C22.2 N. 25, 100, 145
» Intertek ETL - SEMCO File Number 3177001



DIMENSIONAL SPECIFICATIONS (mm)

Model		Drawing	Size	C		M		A	B	ØG	Holes	D	E	F	H	I	L	N		
				50Hz	60Hz	50Hz	60Hz												N°	
MVE 60/3	MVE 60/36	A	10	211	45	Multiple Footprint			4	130	136	12	48	94	121	85	85			
MVE 100/3	MVE 100/36	A	10	211	45	62-74	106	9										33	83-102	7
MVE 200/3	MVE 200/36	B	20	231	54	62-74	106	9	4	131	159	15	64	121	123	112	112			
MVE 202/3	MVE 202/36	G	23	218	53	Multiple Footprint			4	164	140	25	82	116	159	110	110			
MVE 300/3	MVE 300/36	C	30	253	45	62-74	106	9										65	140	13
MVE 400/3	MVE 400/36	C	30	273	55	115	135	11										135	115	11
MVE 500/3	MVE 500/36	D	40	334	78	80	110	11	4	154	175	15	79	142	163	131	131			
MVE 700/3	MVE 700/36	D	40	334	78	90	125	13	4	154	175	15	79	142	163	131	131			
MVE 800/3	MVE 800/36	D	50	321	58	124	110	11	4	168	196	22	92	169	178	158	158			
MVE 1200/3	MVE 1200/36	D	50	321	58	135	115	11	4	208	210	22	94	180	205	170	170			
MVE 1300/3	MVE 1300/36	D	50	321	58	100	180	17	4	208	210	22	94	180	205	170	170			
MVE 1301/3	MVE 1301/36	D	53	321	58	100	200	17	4	236	210	26	98	180	205	170	170			
MVE 1600/3	MVE 1600/36	D	60	418	83	140	190	17	4	229	262	30	120	247	220	222	222			
MVE 2000/3	MVE 2000/36	D	60	418	83	140	190	17	4	229	262	30	120	247	220	222	222			
MVE 2300/3	MVE 2300/36	D	60	418	83	140	190	17	4	229	262	30	120	247	220	222	222			
MVE 3200/3	MVE 3200/36	D	75	538	115	155	255	25	4	302	318	35	147	295	273	264	264			
MVE 4000/3	MVE 4000/36	D	75	538	115	155	255	25	4	302	318	35	147	295	273	264	264			
MVE 5000/3	MVE 5000/36	D	75	588	538	140	115	155	255	25	4	302	318	35	147	295	273	264		
MVE 6500/3	MVE 6500/36	D	85	605	120	200	320	28	4	378	411	49	199	424	325	378	378			
MVE 9000/3	MVE 9000/36	D	85	605	120	200	320	28	4	378	411	49	199	424	325	378	378			

NOTE: Dimensions with coarse degree of accuracy related to UNI 22768/1